

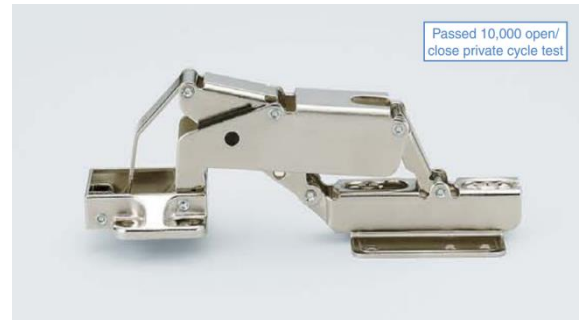
## GHT160V2 Concealed Hinge For Sheet Metal

### Features

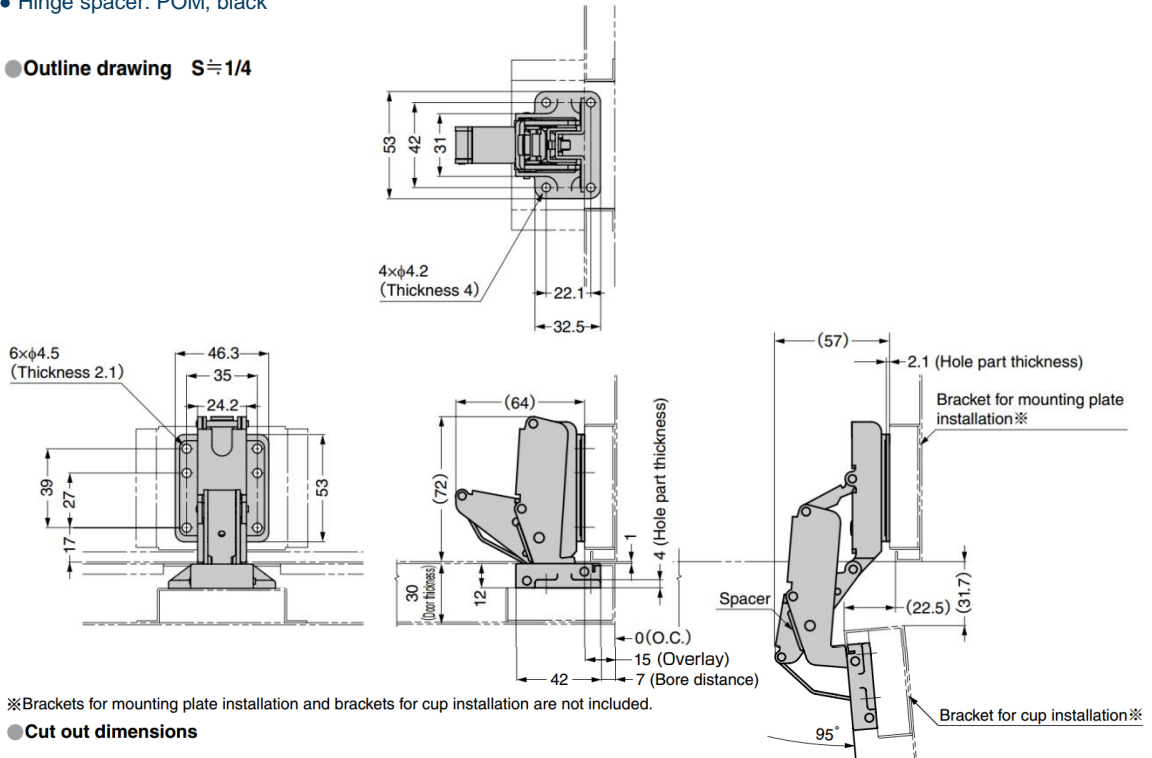
- For sheet metal doors
- Overlay adjustment (max. +0, -3mm) by turning the overlay adjustment screw
- Spacer on the slide arms reduces arm wear and door sagging
- Door opens without interfering with side cabinets or wall
- Mounting plate included
- Passed 10,000 life cycle test

### Material

- Hinge body: Steel, nickel finish
- Hinge cup: Zinc alloy, nickel finish
- Hinge spacer: POM, black

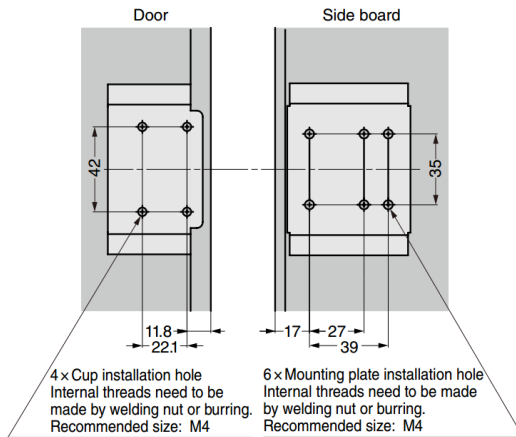


### ● Outline drawing S≐1/4



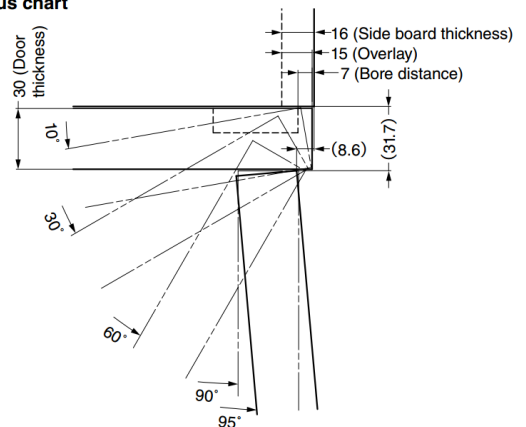
※Brackets for mounting plate installation and brackets for cup installation are not included.

### ● Cut out dimensions



Drawing above is Bore Distance 7 mm, Door Thickness 30 mm and 15 mm Overlay.

### ● Locus chart



Reference door weight: 20 kg  
(In case of door size W450 x H800, installation pitch 550, using 2 pcs vertically)

<b>Part No.</b>
<b>GHT160V2</b>